

# WENCO SIMPLEX

WIRE STRIPPERS  
AND CUTTERS  
S-30-C

INSTRUCTIONS

PART LISTS



SINCE 1920

BULLETIN NO. 10-446

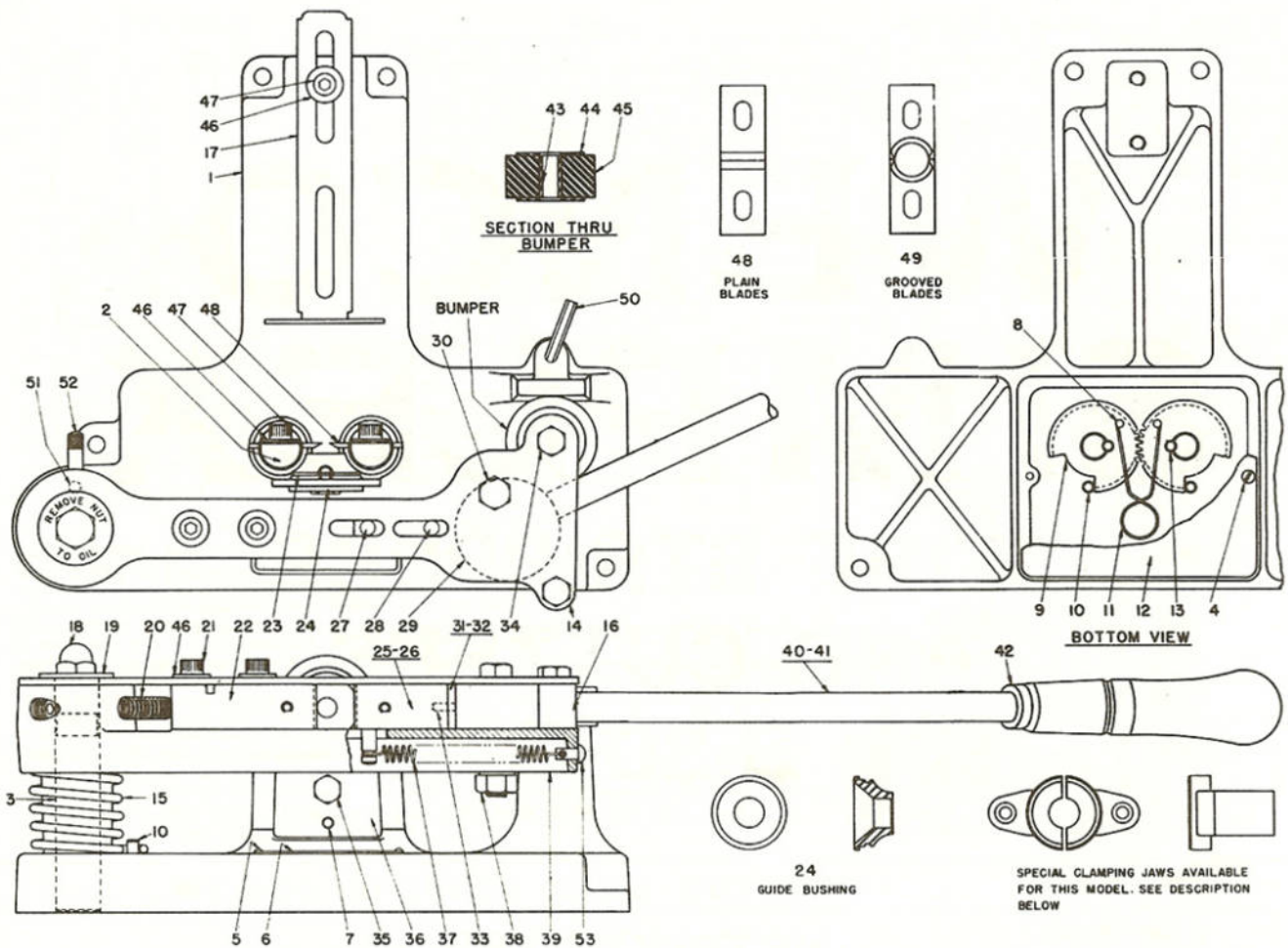
PRINTED IN U.S.A.

MANUFACTURED AND GUARANTEED BY

**WENCO MANUFACTURING, INC.**

11 N 261 MUIRHEAD ROAD, ELGIN, ILLINOIS 60123  
708-377-7474 FAX 708-513-6599

# WENCO SIMPLEX WIRE STRIPPER MODEL S-30-C



## INSTRUCTIONS—S-30-C WIRE STRIPPER

**INSTALLATION AND SETUP.** Mount stripper securely on bench and screw handle furnished tightly into cam.

**GUIDE BUSHING INSTALLATION.**—See Chart No. 2 for Available Sizes. To facilitate installing guide bushing a push button lock is provided to hold stripper arm open. Select proper guide bushing to clear outside diameter of wire and hold in place provided for same by means of spring retainer.

**BLADE INSTALLATION.** After proper guide bushing is installed select and mount proper blades to suit wire to be stripped and lineup as follows:

**GROOVED BLADES.**—See Chart No. 3 for Available Sizes. Clamp grooved blades in position so that straight cutting edges touch and grooves are concentric with wire guide hole.

**PLAIN BLADES.** Clamp central with guide bushing and the proper distance apart to just clear the diameter of inner conductor being stripped. These blades can be used for parallel wire, heater cord and many single conductor wires.

**ADJUSTMENT OF GRIPPING JAW.** Loosen two top screws, locate gripping jaw so that serrated face is approximately one-half of the outside diameter of wire away from center line of guide bushing and tighten top screws. To avoid slippage, jaw must be backed up with set screw.

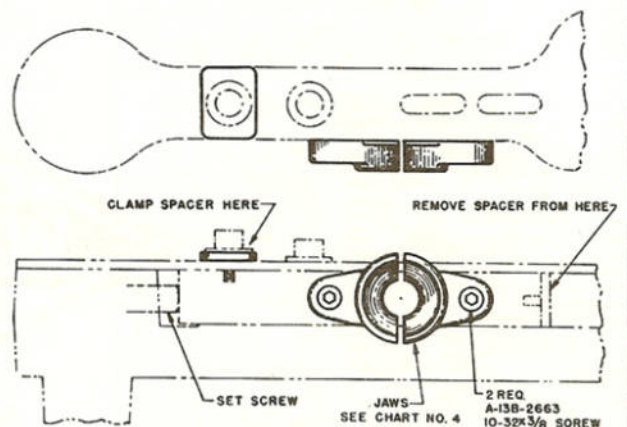
**WIRE STOP.** Set wire stop for proper stripping length. This stop is reversible to provide a 10" stripping length.

**OPERATION.** Hold wire in left hand and insert it through the clamping jaws and guide bushing up to the stop and a quick pull on the handle grips the wire and draws it through the oscillating stripping blades. Retain wire in left hand in same position it was at end of stripping stroke, then simultaneously release handle and pull wire away from machine, thus completing stripping operation.

**LUBRICATION.** Oil eccentric cam, movable jaw and stripper arm pivot with S.A.E. No. 10 oil.

**IMPORTANT—DO NOT LUBRICATE OR USE ANY TYPE OF SOLVENT FOR CLEANING BLADE HOLDER JOURNALS.**

## CLAMPING JAW ATTACHMENT— MODEL S-30-C WIRE STRIPPER



### INSTRUCTIONS

To avoid crushing insulation on certain wires such as metallic shielded cable, synthetic, cambric or woven insulation cable, we have made provisions on this stripper for a special circular clamping jaw attachment.

When using these jaws, remove spacer between cam and movable jaw and clamp spacer under screw shown. Pins will locate adjustable jaw in proper position, but jaw must be backed up with set screw.

See Chart No. 4 for available sizes of special jaws.

# WENCO SIMPLEX WIRE STRIPPER MODEL S-30-C

## CHART NO. 1

## CHART NO. 2

## CHART NO. 3

| PART LIST |           |            |  | GUIDE BUSHINGS AVAIL. |           | GROOVED BLADES AVAILABLE |           |            |                 |           |           |            |                 |
|-----------|-----------|------------|--|-----------------------|-----------|--------------------------|-----------|------------|-----------------|-----------|-----------|------------|-----------------|
| ITEM NO.  | NO. REQD. | PART NO.   | DESCRIPTION                                  | SOLE SIZE             | PART NO.  | SOLE SIZE                | PART NO.  | IDENT MARK | FOR AWG WIRE NO | SOLE SIZE | PART NO.  | IDENT MARK | FOR AWG WIRE NO |
| 1         | 1         |            | Base Casting Assembly Inc., items 1-13 incl. | .063                  | B-5C-3242 | .031                     | A-8B-2002 |            | 20              | .500      | A-8B-2062 |            |                 |
| 1         | 1         | D-1B-3234  | Base   | .078                  | B-5C-3243 | .039                     | A-8B-2003 |            | 18 & 19         | .508      | A-8B-2063 |            |                 |
| 2         | 2         | A-5B-3235  | Blade Holder                                 | .094                  | B-5C-3244 | .047                     | A-8B-2004 |            | 17              | .516      | A-8B-2064 |            |                 |
| 3         | 1         | A-5B-5221  | Pivot Stud                                   | .109                  | B-5C-3245 | .055                     | A-8B-2005 |            | 16              | .523      | A-8B-2065 |            |                 |
| 4         | 2         | A-17B-5189 | Screw #4-40 x 1/4 (Shakeproof Type 1)        | .125                  | B-5C-3246 | .063                     | A-8B-2006 | A          | 15              | .531      | A-8B-2066 |            |                 |
| 5         | 2         | A-17A-2367 | P.K. Drive Screws #0 x 3/16                  | .141                  | B-5C-3247 | .070                     | A-8B-2007 |            | 14              | .539      | A-8B-2067 |            |                 |
| 6         | 1         | A-19A-3208 | Name Plate                                   | .156                  | B-5C-3248 | .078                     | A-8B-2008 | B          | 13              | .547      | A-8B-2068 |            |                 |
| 7         | 2         | A-5B-3241  | Plain Straight Pin                           | .172                  | B-5C-3249 | .086                     | A-8B-2009 |            | 12              | .554      | A-8B-2069 |            |                 |
| 8         | 2         | A-17A-2368 | P.K. Drive Screw #0 x 1/4                    | .188                  | B-5C-3250 | .094                     | A-8B-2010 | C          | 11              | .563      | A-8B-2070 |            |                 |
| 9         | 2         | A-5A-3236  | Spur Gear                                    | .203                  | B-5C-3251 | .101                     | A-8B-2011 |            | 10              |           |           |            |                 |
| 10        | 3         | A-5B-3238  | Pin  | .219                  | B-5C-3252 | .109                     | A-8B-2012 | D          | 10              |           |           |            |                 |
| 11        | 1         | A-7C-3239  | Torsion Spring                               | .234                  | B-5C-3253 | .116                     | A-8B-2013 |            | 9               |           |           |            |                 |
| 12        | 1         | A-4B-3293  | Bottom Plate                                 | .250                  | B-5C-3254 | .125                     | A-8B-2014 | E          | 9               |           |           |            |                 |
| 13        | 2         | A-5B-3237  | Pin (Shaft to Gear)                          | .266                  | B-5C-3255 | .136                     | A-8B-2015 |            | 8               | .188      | B-2C-5222 |            |                 |
|           |           |            |  | .281                  | B-5C-3256 | .141                     | A-8B-2016 | F          | 8               | .219      | B-2C-5223 |            |                 |
| 14        | 1         | B-4B-4620  | Top Plate                                    | .297                  | B-5C-3257 | .147                     | A-8B-2017 |            | 7               | .250      | B-2C-5224 |            |                 |
| 15        | 1         | A-7C-3204  | Torsion Spring                               | .313                  | B-5C-3258 | .156                     | A-8B-2018 | G          | 7               | .281      | B-2C-5225 |            |                 |
| 16        | 1         | A-5C-3228  | Spacer                                       | .328                  | B-5C-3259 | .166                     | A-8B-2019 |            | 6               | .313      | B-2C-5226 |            |                 |
| 17        | 1         | B-4C-3206  | Stop Bracket                                 | .344                  | B-5C-3260 | .172                     | A-8B-2020 | H          | 6               | .344      | B-2C-5227 |            |                 |
| 18        | 1         | A-15C-2293 | Hex Cap Nut 3/8-16                           | .359                  | B-5C-3261 | .180                     | A-8B-2021 |            | 5               | .375      | B-2C-5228 |            |                 |
| 19        | 1         | A-4E-3205  | Washer                                       | .375                  | B-5C-3262 | .188                     | A-8B-2022 | I          | 5               | .406      | B-2C-5229 |            |                 |
| 20        | 1         | A-12A-3093 | Set Screw 3/8-16 x 2 Hollow Hex              | .391                  | B-5C-3263 | .196                     | A-8B-2023 |            | 5               | .438      | B-2C-5230 |            |                 |
| 21        | 2         | A-13B-2780 | Knurled Cap Screw 1/4-20 x 1 1/2             | .406                  | B-5C-3264 | .203                     | A-8B-2024 | J          | 5               | .469      | B-2C-5231 |            |                 |
| 22        | 1         | A-6A-4622  | Adjustable Jaw                               | .422                  | B-5C-3265 | .213                     | A-8B-2025 |            | 4               | .500      | B-2C-5232 |            |                 |
| 23        | 1         | A-7C-3292  | Retainer Spring                              | .438                  | B-5C-3266 | .219                     | A-8B-2026 | K          | 4               | .531      | B-2C-5233 |            |                 |
| 24        | 1         | See Chart  | Guide Bushing                                | .453                  | B-5C-3267 | .228                     | A-8B-2027 |            | 3               | .563      | B-2C-5234 |            |                 |
| 25        | 1         | A-SA-4623  | Moveable Jaw Assembly includes               | .469                  | B-5C-3268 | .234                     | A-8B-2028 | L          | 3               | .594      | B-2C-5235 |            |                 |
| 26        | 1         | A-6A-4621  | Moveable Jaw                                 | .484                  | B-5C-3269 | .242                     | A-8B-2029 |            | 3               | .625      | B-2C-5236 |            |                 |
| 27        | 1         | A-5B-3194  | Spring Pin                                   | .500                  | B-5C-3270 | .250                     | A-8B-2030 | M          | 3               | .656      | B-2C-5237 |            |                 |
| 28        | 1         | A-5B-3195  | Knurled Pin                                  | .516                  | B-5C-3271 | .257                     | A-8B-2031 |            | 2               | .688      | B-2C-5238 |            |                 |
|           |           |            |  | .531                  | B-5C-3272 | .266                     | A-8B-2032 | N          | 2               |           |           |            |                 |
| 29        | 1         | A-5C-3227  | Eccentric Cam                                | .547                  | B-5C-3273 | .272                     | A-8B-2033 |            | 2               |           |           |            |                 |
| 30        | 1         | A-13A-5271 | Hex Hd. Screw 5/16-18 x 2                    | .563                  | B-5C-3274 | .281                     | A-8B-2034 | O          | 2               |           |           |            |                 |
| 31        | 1         | A-SA-4626  | Spacer Assembly Inc., items 31-33 incl.      | .578                  | B-5C-3275 | .290                     | A-8B-2035 |            | 1               |           |           |            |                 |
| 32        | 1         | A-4B-4624  | Spacer                                       | .594                  | B-5C-3276 | .297                     | A-8B-2036 | P          | 1               |           |           |            |                 |
| 33        | 2         | A-5B-4625  | Dowel Pin                                    | .609                  | B-5C-3277 | .302                     | A-8B-2037 |            | 1               |           |           |            |                 |
|           |           |            |  | .625                  | B-5C-3278 | .313                     | A-8B-2038 | Q          | 1               |           |           |            |                 |
| 34        | 2         | A-13A-2559 | Hex Hd. Screw 1/4-20 x 1 1/2                 | .641                  | B-5C-3279 | .323                     | A-8B-2039 |            | 0               |           |           |            |                 |
| 35        | 1         | A-13B-2553 | Hex Hd. Cap Screw 1/4-20 x 1 1/2             | .656                  | B-5C-3280 | .328                     | A-8B-2040 | R          | 0               |           |           |            |                 |
| 36        | 1         | A-4B-3240  | Guide Bushing Plate                          | .672                  | B-5C-3281 | .332                     | A-8B-2041 |            | 0               |           |           |            |                 |
| 37        | 1         | A-7A-3233  | Extension Spring                             | .688                  | B-5C-3282 | .344                     | A-8B-2042 | S          | 0               |           |           |            |                 |
| 38        | 1         | A-15A-2172 | Hex Nut Full 5/16-18                         | .703                  | B-5C-3283 | .348                     | A-8B-2043 |            | 0               |           |           |            |                 |
| 39        | 1         | C-1C-3197  | Stripper Arm Casting                         | .719                  | B-5C-3284 | .359                     | A-8B-2044 | T          | 0               |           |           |            |                 |
| 40        | 1         | B-SA-3210  | Lever Bar Assembly Inc., items 40-42 incl.   | .734                  | B-5C-3285 | .368                     | A-8B-2045 |            | 00              |           |           |            |                 |
| 41        | 1         | A-5B-3192  | Lever Bar                                    | .750                  | B-5C-3286 | .375                     | A-8B-2046 | U          | 00              |           |           |            |                 |
| 42        | 1         | A-20B-3191 | Handle                                       |                       |           | .383                     | A-8B-2047 |            | 00              |           |           |            |                 |
|           |           |            |  |                       |           | .391                     | A-8B-2048 | V          | 00              |           |           |            |                 |
| 43        | 1         | A-5C-3229  | Spacer                                       |                       |           | .397                     | A-8B-2049 |            | 00              |           |           |            |                 |
| 44        | 2         | A-4E-3231  | Washer                                       |                       |           | .406                     | A-8B-2050 | W          | 00              |           |           |            |                 |
| 45        | 1         | A-22A-3230 | Rubber Bumper                                |                       |           | .413                     | A-8B-2051 |            | 000             |           |           |            |                 |
| 46        | 5         | A-4E-3207  | Washer                                       |                       |           | .422                     | A-8B-2052 | X          | 000             |           |           |            |                 |
| 47        | 3         | A-13B-2774 | Knurled Cap Screw 1/4-20 x 1 1/2             |                       |           | .429                     | A-8B-2053 |            | 000             |           |           |            |                 |
| 48        | 1 Set     | A-8B-2001  | Blade (Plain)                                |                       |           | .438                     | A-8B-2054 | Y          | 000             |           |           |            |                 |
| 49        | 1 Set     | See Chart  | Blade (Grooved)                              |                       |           | .445                     | A-8B-2055 |            | 000             |           |           |            |                 |
| 50        | 1         | A-9A-3217  | Allen Wrench 3/16 Hex.                       |                       |           | .453                     | A-8B-2056 | Z          | 000             |           |           |            |                 |
| 51        | 1         | A-5B-4726  | Pin  |                       |           | .461                     | A-8B-2057 |            | 0000            |           |           |            |                 |
| 52        | 1         | A-5B-4725  | Push Button Pin                              |                       |           | .469                     | A-8B-2058 |            | 0000            |           |           |            |                 |
| 53        | 1         | A-16A-3294 | Spring Pin                                   |                       |           | .477                     | A-8B-2059 |            |                 |           |           |            |                 |
|           |           |            |  |                       |           | .484                     | A-8B-2060 |            |                 |           |           |            |                 |
|           |           |            |  |                       |           | .492                     | A-8B-2061 |            |                 |           |           |            |                 |

This attachment is not furnished as standard equipment with the model S-30-C but must be ordered separately.

### NOTE

THESE NOTES APPLY TO ALL STRIPPERS SHOWN IN THIS BULLETIN.

All blades are mounted with bevel side toward operator.

Ident. mark column is used for cross reference to old part number only. Use new part number when ordering.

The A.W.G. wire sizes on blade charts are based on solid wire.

Assemblies shown in part lists should be purchased as such and not by individual parts.

Send wire samples for proper selection of grooved blades.

If you have a wire stripping problem in larger wire, investigate our Wenco Simplex Model S-130 which has a capacity up to 1" diameter wire.

WENCO Engineers are at all times ready and able to serve you as they have served our many thousands of customers since 1920.